

BACKUP-VSP

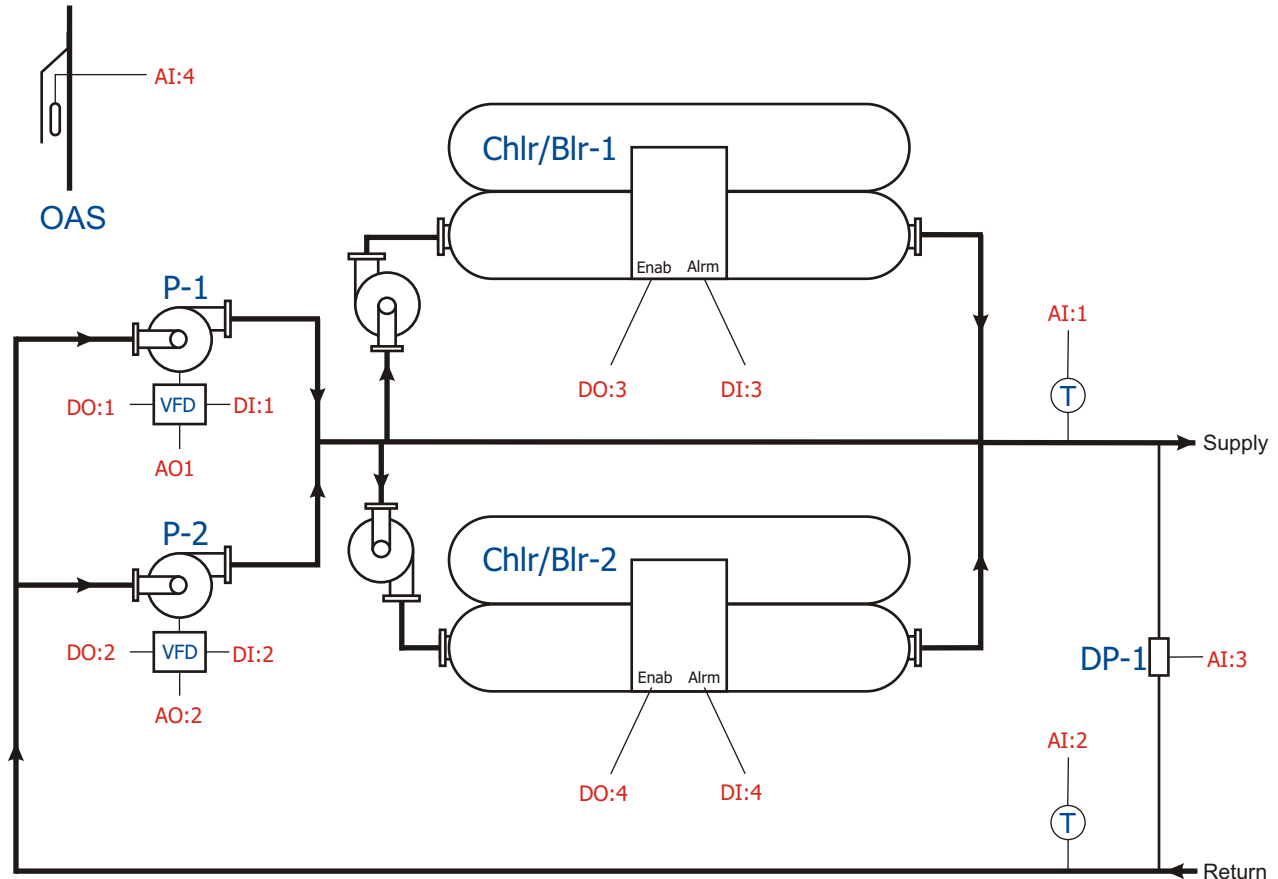
REDUNDANT PUMP CONTROLLER



Features

Backup-VSP has been manufactured with the high grade industrial process controllers for durability and reliability. This controller will provide system differential pressure monitoring and control for 2-way valve piping configuration. The variable speed pumps will maintain a set differential pressure between the Supply & Return to assure proper system GPM flow. Backup-VSP adds pump parallel or tandem operation and Chlr/Blr operation, with alarms. The *auto rotation* feature will rotate the pumps and Chlr/Blr systems weekly. The outside air sensor will provide seasonal shutdown as well as loop water *reset temperature* capability. When pump flow is proven a contact will enable your lead heating/cooling equipment. The *Hand-Off-Auto* feature will allow flexible operation of your heating and cooling systems. The text interface will allow operator to run with manual functions and setup auto features. Optional: The interoperability of the Bacnet controller will give you all the auto and manual features on your BAS through the Bacnet network.

Application



BACKUP-VSP

REDUNDANT PUMP CONTROLLER

Specifications

Differential Pressure Sensor.

Max Operating Temperature: 30°F to 175°F
Wetted Parts: 17-4 stainless, 300 series stainless steel, viton, silicon rings
Enclosure: NEMA 4 (IP65)
Output: 4-20ma
Voltage: 9-30 VDC
Approvals: CE
Max Line Pressure: 250 PSI
Range Options: 0-1 PSID, 0-5 PSID, 0-10 PSID, 0-25 PSID, 0-50 PSID, 0-100 PSID
Pressure Ports: 1/4"-18 FPT

Temperature Sensors

Enclosure: High-impact thermoplastic NEMA 1
Output: 4-20 ma
Sensor: 1000Ω platinum TCR 0.00375Ω
Rangeability: -30°F to 250°F
Supply Voltage: 10.5-45 VDC
Accuracy: 0.1 °F or 0.2% of span±
Agency: CE (EN50081-1, EN50082-1)
Well: 304 stainless steel, 1/2" MPT

RIB Relays

Voltage: 10-30 VAC/VDC/120 VAC
Contact Rating: 10 amp
Expected Relay Life: 10 million cycles minimum
Operating Temperature: -30°F to 140°F
Operating Time: 20ms
Housing: Plenum, NEMA 1

Backup-VSP Controller

Voltage: 120 VAC
Power: 300 watts
Alarm Output: Red pilot light, with SPDT 10 amp dry contacts for external systems
Heating/Cooling Enable Output: SPDT 10 amp dry contacts
Controller Enclosure: NEMA 12, Hinged cover w/screwdriver lock, epoxy finish
Rating: UL 508A Industrial Control Panel

Option

Communications Protocol: Bacnet

Ordering Information

BPC-VSP: Stand alone industrial controller
BPC-VSPB: Bacnet ready controller