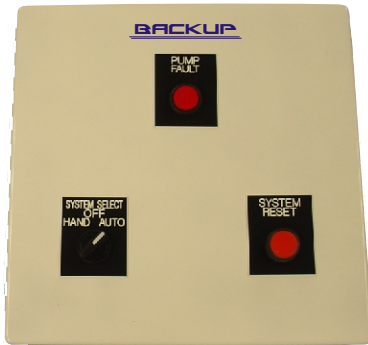


BACKUP

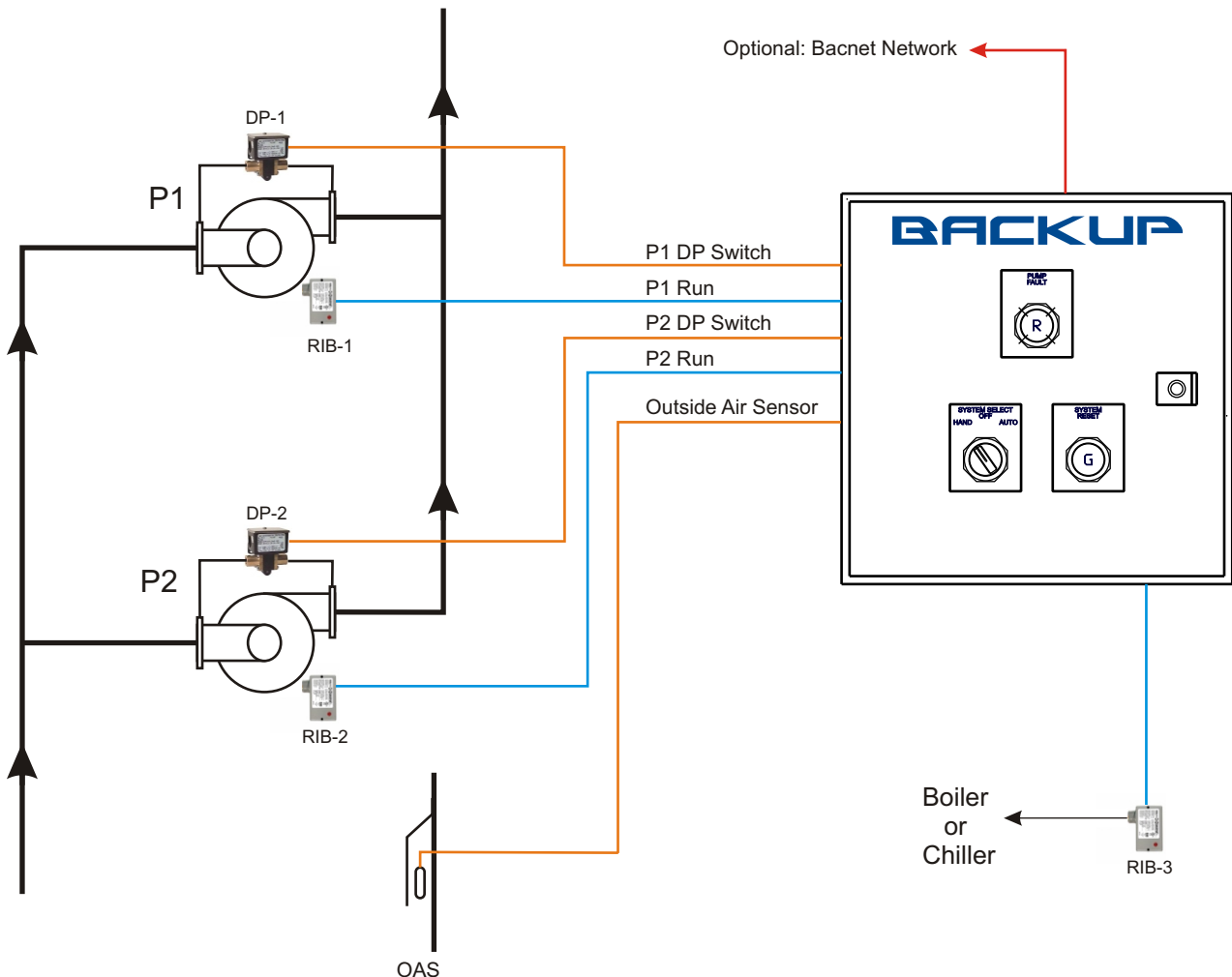
REDUNDANT PUMP CONTROLLER



Features

Backup has been manufactured with the high grade industrial process controllers for durability and reliability. This system will provide automatic pump backup with alarm, as well as weekly pump rotation for your heating or cooling system. The outside air sensor adds temperature or seasonal shutdown capability. When pump flow is proven a contact is available to enable your heating/cooling systems. The Hand-Off-Auto feature will allow flexible operation of your heating and cooling systems. Optional Bacnet controller will give the interoperability to connect all these features to your Bacnet network.

Application



BACKUP

REDUNDANT PUMP CONTROLLER

Specifications

Differential Pressure Sensor

Max Media Temperature: 200°F @ 100 psig
Wetted Parts: Polyurethane diaphragm, ethylene propylene, polysulphone, brass
Enclosure: Reinforced nylon body, zinc-plated steel cover with neoprene gasket, NEMA 4
Switch Life: SPDT snap-acting design with mechanical contact life of 10 million cycles
Approvals: UL listed, File #42272; CSA 22.2 approval
Ratings: 5 amp. resistive and 5 amp. inductive @ 125 VAC and 250 VAC, 1/4 hp
Pressure Rating: 150 PSID up to 160°F without loss of adjustability
Adjustment: Multiturn screw, accessible from outside enclosure, 1 psid to 45 psid
Pressure Ports: 1/4" FPT brass
Repeatability: 1% of span±

Outside Air Temperature Sensor

Enclosure: High-impact thermoplastic NEMA 1
Switch Action: SPDT snap-acting design
Contact Ratings: 1 hp @ 120/208 VAC and .5 hp @ 240 VAC
Sensor Type: A99BB Type PTC Sensor
Temperature Range: -30°F to 220°F
Diff °F Adjustment: 1°F to 30°F
Adjustment: Pushbuttons with Digital Display
Repeatability: 1% of span±
Approvals: UL File E27734; CCN's XAPX (US), XAPX7 (Canada) FCC: CFR 47, Part 15, Class A

RIB Relays

Voltage: 10-30 VAC/VDC/120 VAC
Contact Rating: 10 amp
Expected Relay Life: 10 million cycles minimum
Operating Temperature: -30°F to 140°F
Operating Time: 20ms
Housing: Plenum, NEMA 1

Backup Controller

Voltage: 120 VAC
Power: 100 watts
Alarm Output: Red pilot light, with SPDT 10 amp dry contacts for external systems
Heating/Cooling Enable Output: SPDT 10 amp dry contacts
Controller Enclosure: NEMA 12, Hinged cover w/screwdriver lock, epoxy finish
Rating: UL 508A Industrial Control Panel

Option

Communications Protocol: Bacnet

Ordering Information

BPC-1: Stand alone industrial controller
BPC-1B: Bacnet ready controller